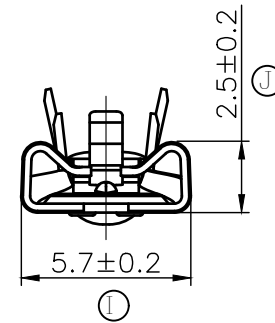
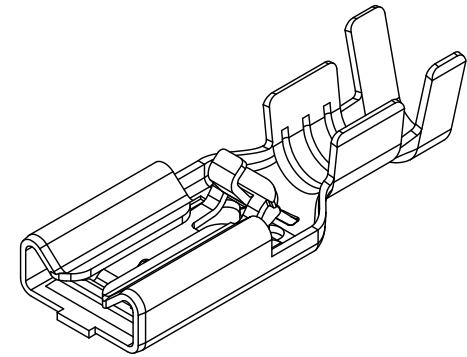
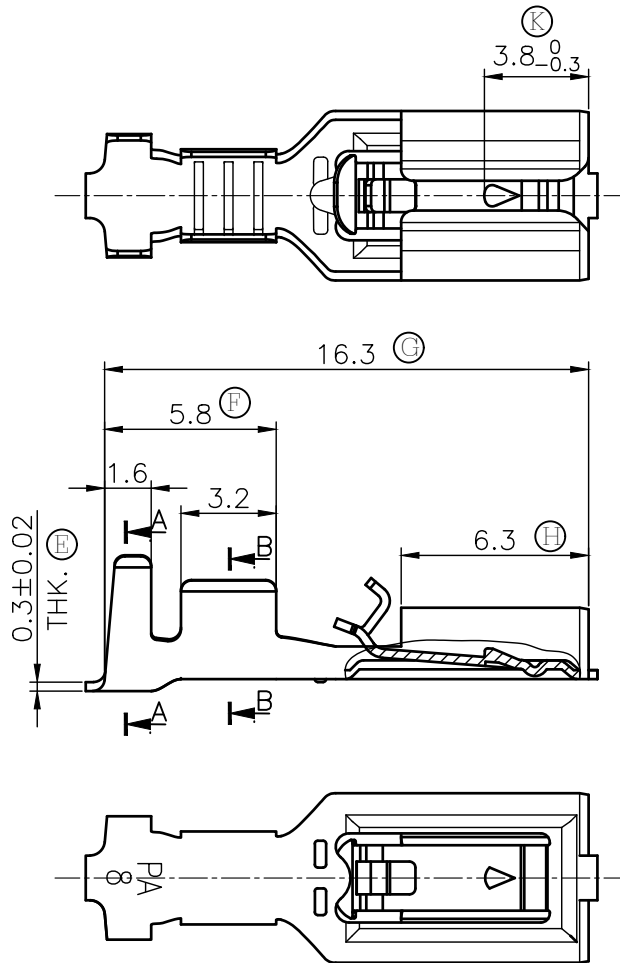
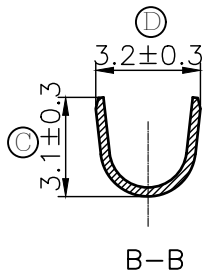
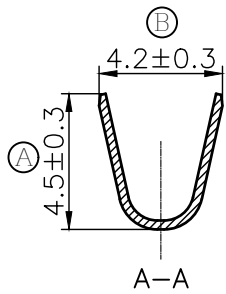


REV.	DESCRIPTION	APPROVED	DATE
A	INITIAL RELEASE	L.H.L	2020/04/16

- 1 MATERIAL: BRASS
- FINISH: TIN PLATED
- 2 MATING TAB: 4.8X0.8
- 3 WIRE RANGE: 0.75-1.0mm²
- INSULATION RANGE: $\varnothing 2.0-\varnothing 3.0$
- 4 CONTINUOUS STRIP ON REELS.
- 5 PARTS ARE ROHS COMPLIANT.



CUSTOMER DRAWING	TITLE .187 LOCK-IN RECEPTACLES	MODEL NO.: LK4800802	DWN: L.H.L	2020/04/16	
		DWG NO. : CD-LK480-001	REV.: A	CHK: C.H.P	2020/04/16
GENERAL TOLERANCES (UNLESS SPECIFIED) .X ±0.2 .XX ±0.05 .XXX ±0.01 A' ±2'		UNIT: mm	SCALE: 5:1	APP:	2020/04/16

