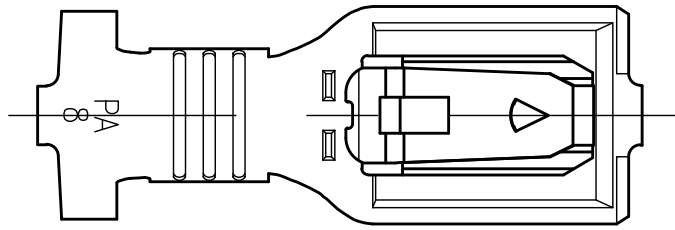
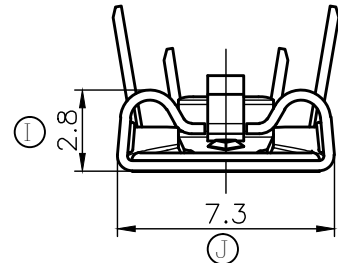
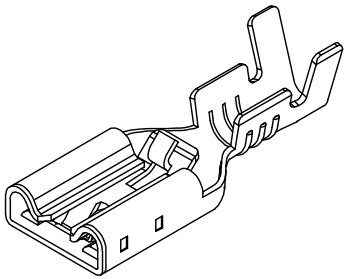
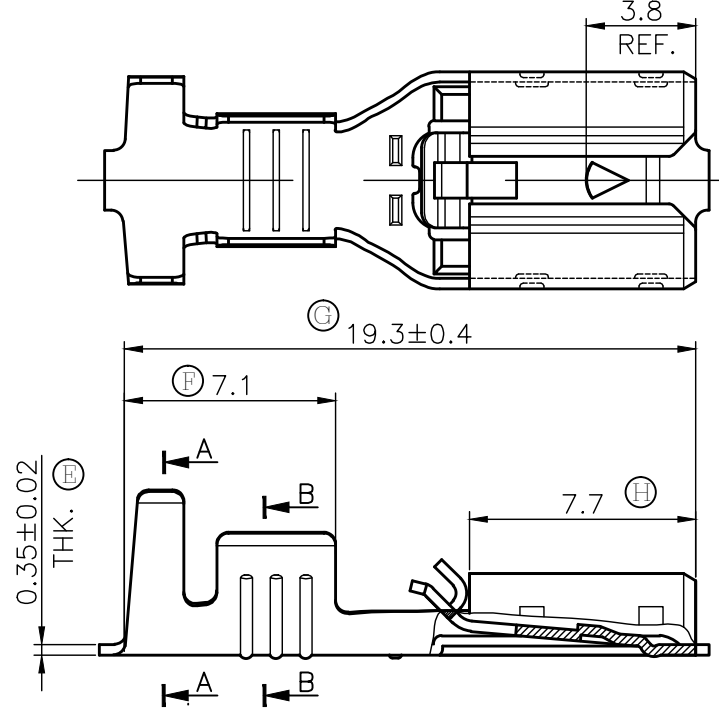
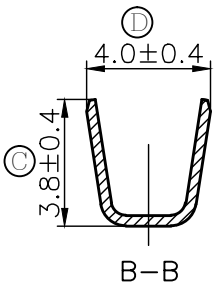
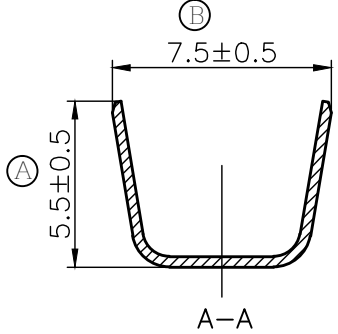


REV.	DESCRIPTION	APPROVED	DATE
A	INITIAL RELEASE	L.H.L	2018/11/02
B	EC190761	L.H.L	2019/07/25

- 1 MATERIAL: BRASS
- FINISH: NI-PLATED
- 2 MATING TAB: 6.3X0.8
- 3 WIRE RANGE: 0.75mm² +0.75mm², 1.0mm²+1.0mm²
- INSULATION RANGE: $\phi 3.0+\phi 3.0$
- 4 CONTINUOUS STRIP ON REELS.
- 5 PARTS ARE ROHS COMPLIANT.



CUSTOMER DRAWING	TITLE .250 LOCK-IN RECEPTACLES	MODEL NO.: LK2500804-M	DWN: L.H.L	2019/07/25	
		DWG NO. : CD-LK250-009	REV.: B	CHK: C.H.P	2019/07/25
GENERAL TOLERANCES (UNLESS SPECIFIED) .X ± 0.2 .XX ± 0.05 .XXX ± 0.01 A' $\pm 2'$		UNIT: mm	SCALE: 5:1	APP: MARTIN	2019/07/25

