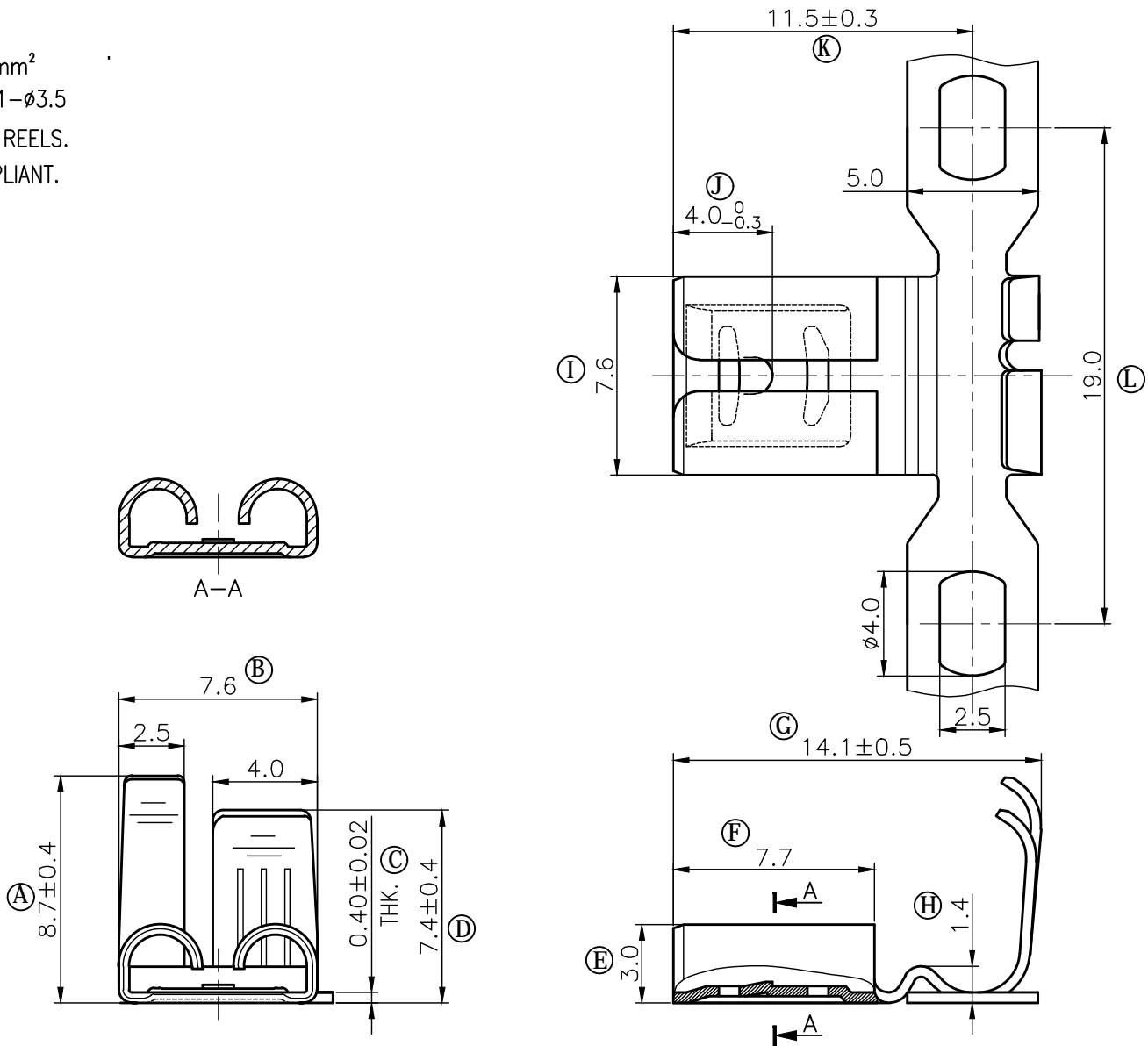

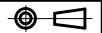


REV.	DESCRIPTION	APPROVED	DATE
A	INITIAL RELEASE	L.H.L	2018/05/30
B	E0190624	L.H.L	2019/06/22

- 1 MATERIAL: BRASS
- FINISH: TIN PLATING
- 2 MATING TAB: 6.3X0.8
- 3 WIRE RANGE: 0.75-1.5mm²
- INSULATION RANGE: ϕ 2.1- ϕ 3.5
- 4 CONTINUOUS STRIP ON REELS.
- 5 PARTS ARE ROHS COMPLIANT.



CUSTOMER DRAWING	TITLE	.250 FLAG TYPE RECEPTACLE	MODEL NO.: FK6400802-S	DWN: L.H.L	2019/06/22	 力幹企業有限公司 POWER ACT ENTERPRISE LIMITED			
	GENERAL TOLERANCES (UNLESS SPECIFIED)	.X ±0.2	.XX ±0.05	.XXX ±0.01	A' ±2'		DWG NO. : CD-FK640-001	REA: B	CHK: C.H.P
			UNIT: mm	SCALE: 5:1		APP:	2019/06/22		