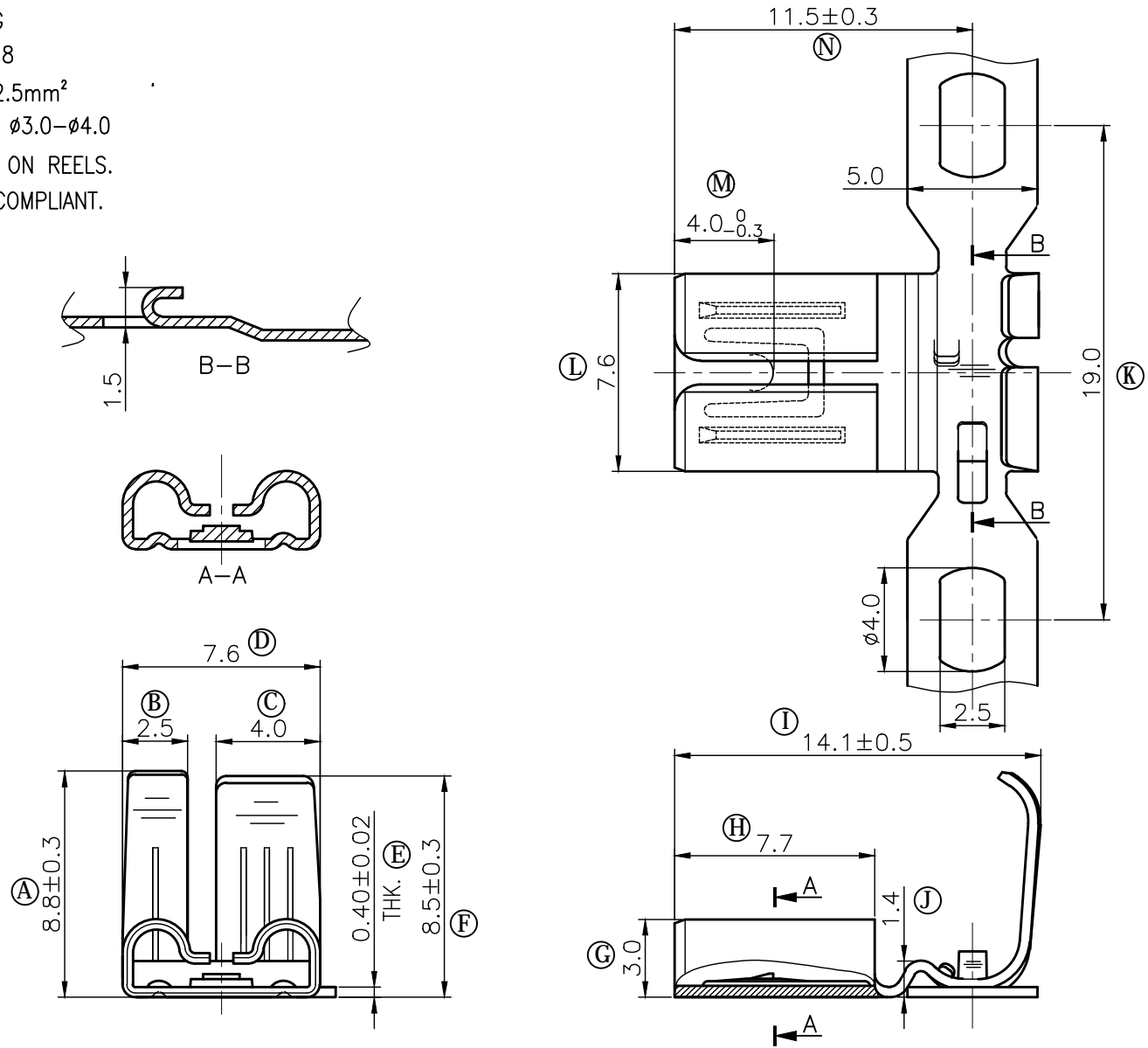


REV.	DESCRIPTION	APPROVED	DATE
A	INITIAL RELEASE	L.H.L	2018/06/26

- 1 MATERIAL: BRASS
- FINISH: TIN PLATING
- 2 MATING TAB: 6.3X0.8
- 3 WIRE RANGE: 1.5-2.5mm²
- INSULATION RANGE: ϕ 3.0- ϕ 4.0
- 4 CONTINUOUS STRIP ON REELS.
- 5 PARTS ARE ROHS COMPLIANT.



CUSTOMER DRAWING	TITLE .250 FLAG TYPE RECEPTACLE	MODEL NO.: FK2500802	DWN: L.H.L	2018/06/26	
		DWG NO. : CD-FK250-004	REV.: A	CHK: C.H.P	2018/06/26
GENERAL TOLERANCES (UNLESS SPECIFIED) .X ±0.2 .XX ±0.05 .XXX ±0.01 A' ±2'		UNIT: mm	SCALE: 5:1	APP:	力幹企業有限公司 POWER ACT ENTERPRISE LIMITED