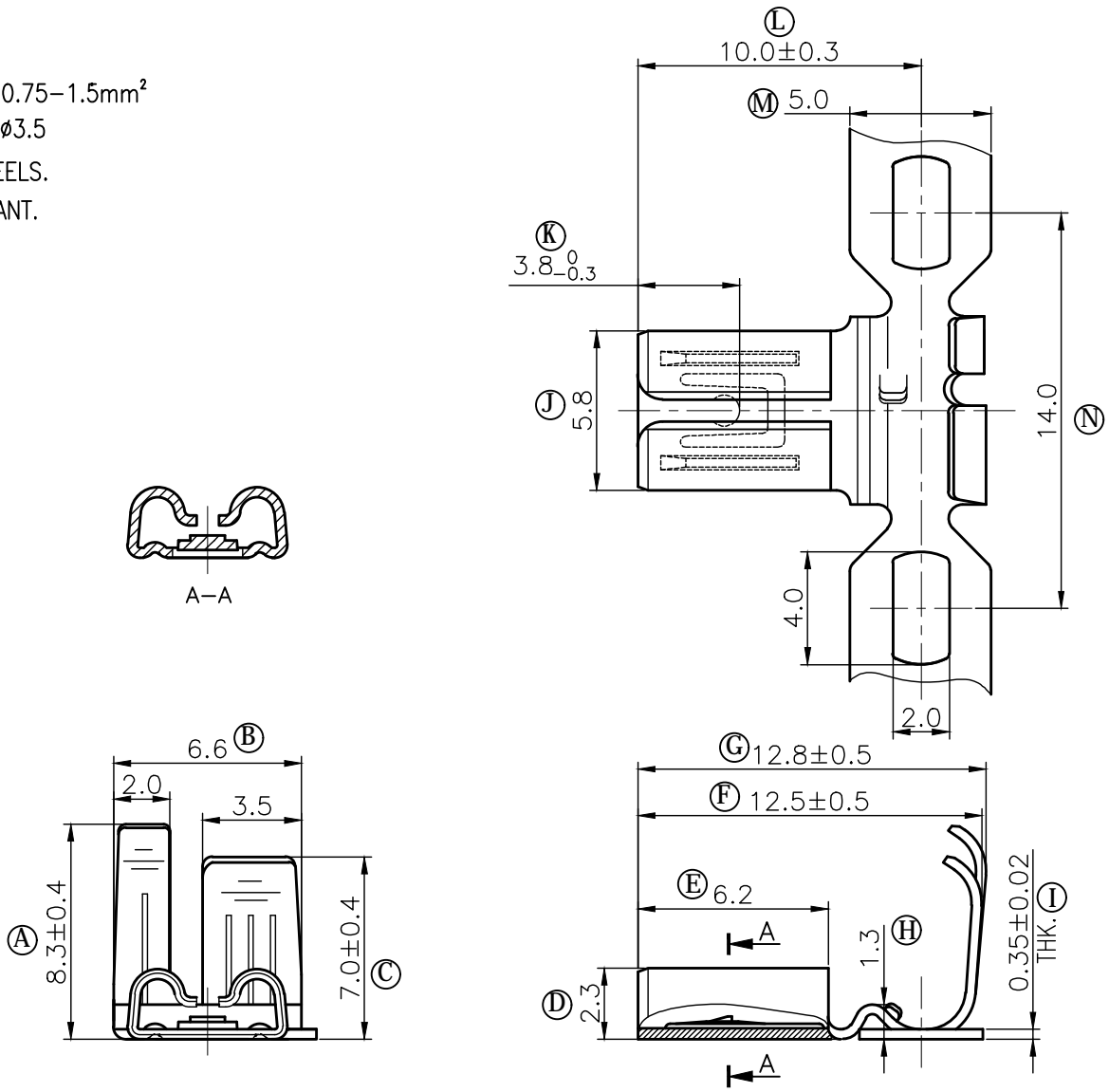


REV.	DESCRIPTION	APPROVED	DATE
A	INITIAL RELEASE	L.H.L	2018/08/08

- 1 MATERIAL: BRASS
- FINISH: TIN PLATING
- 2 MATING TAB: 4.8X0.5
- 3 WIRE RANGE: 18-16AWG, 0.75-1.5mm²
- INSULATION RANGE: ϕ 2.1- ϕ 3.5
- 4 CONTINUOUS STRIP ON REELS.
- 5 PARTS ARE ROHS COMPLIANT.



CUSTOMER DRAWING	TITLE .187 FLAG TYPE RECEPTACLE	MODEL NO.: FK1870502	DWN: L.H.L	2018/08/08	
		DWG NO. : CD-FK187-003	REV.: A	CHK: C.H.P	2018/08/08
GENERAL TOLERANCES (UNLESS SPECIFIED) .X ±0.2 .XX ±0.05 .XXX ±0.01 A' ±2'		UNIT: mm	SCALE: 5:1	APP: MARTIN	2018/08/08

